

French Cleat shelf build plan

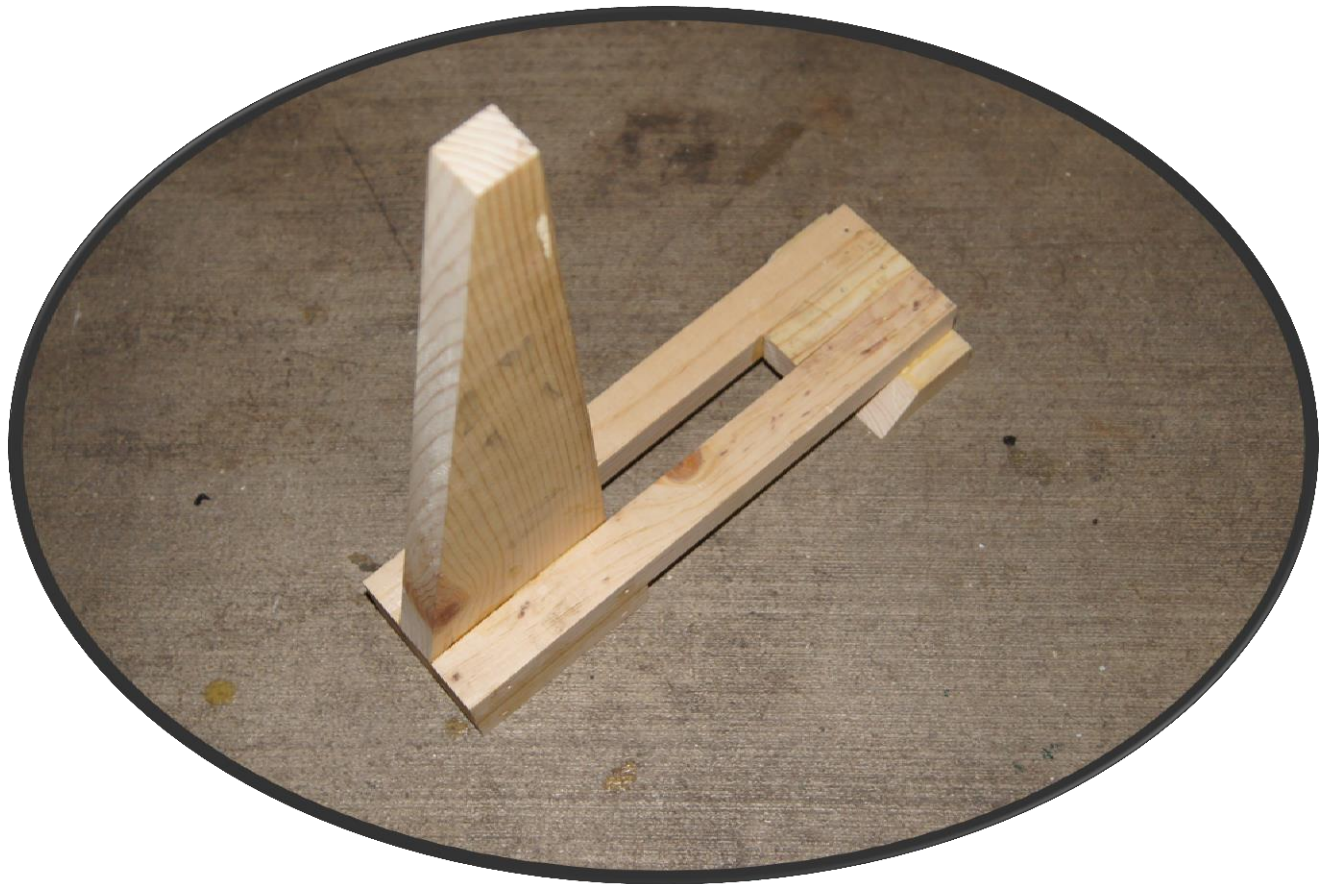


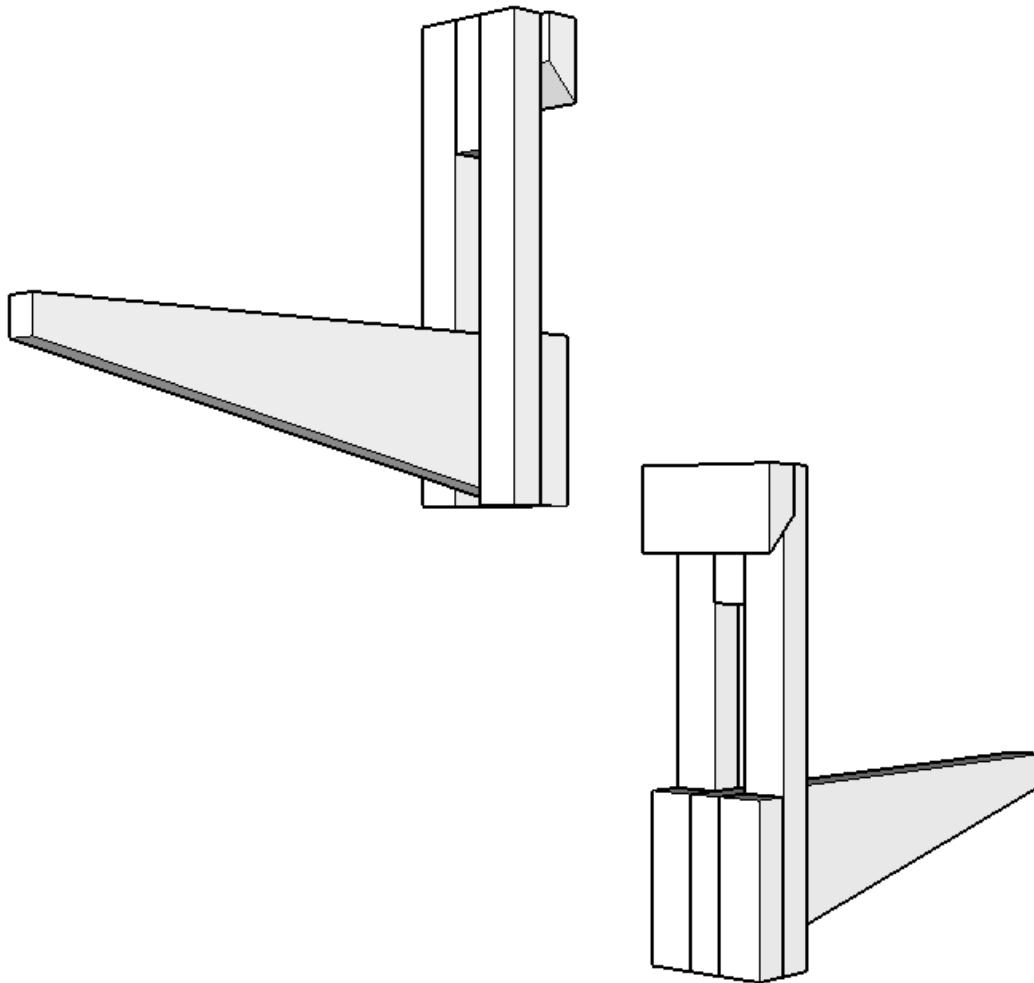
Table Of Contents

Project overview	3
The 3D rendering of the shelf supports.....	3
Shelf Components.....	4
Recommended Products	5
About J.W. website and YouTube channel	8
Follow my progress.....	9

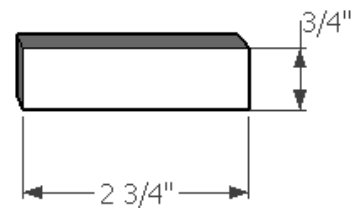
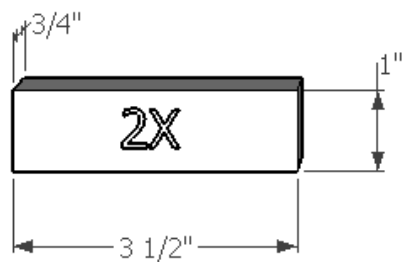
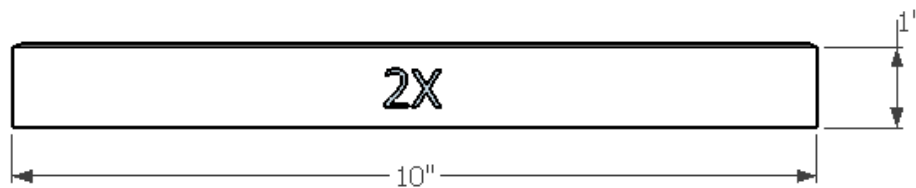
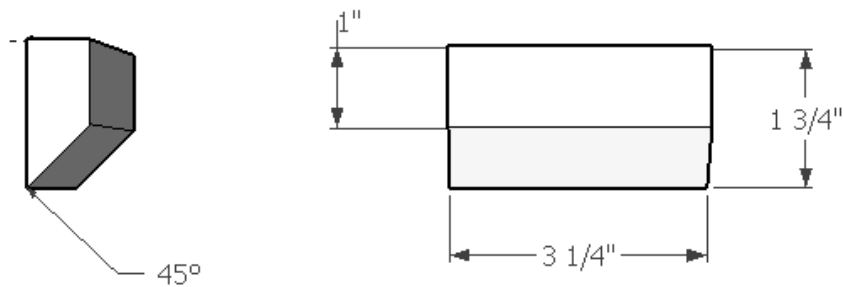
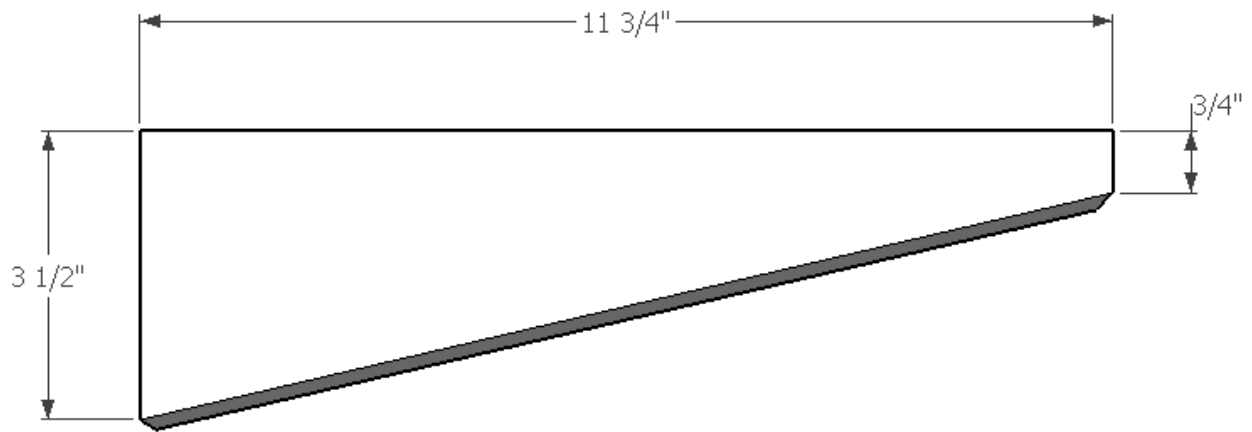
Project overview

Those shelves are perfectly suited to be built from scrap and they are strong enough to be used as lumber support racks. We are using them in the shop for over a year and never had any fail under load. For this project we will use $\frac{3}{4}$ " thick wood pieces. The build process [video is available as reference](#).

The 3D rendering of the shelf supports



Shelf Components



Recommended Products

In this section we present our recommended tool selection. The selection is unbiased and based on our utilization experience. For your convenience all products have embedded hyperlinks. We will get small commission when you purchase from this link and those funds will help us to come up with more projects and free plans.

<p>DEWALT DCS391B 20-Volt MAX Li-Ion Circular Saw</p> 	<p>DEWALT DCS331B 20-Volt MAX Li-Ion Jig Saw</p> 
<p>Freud 24-Tooth ATB Framing Saw Blade</p> 	<p>Bosch T15RC 14-Piece Jig Saw Blade Set</p> 

<p>DEWALT DCL040 20-Volt MAX LED Flashlight</p>  <p>A yellow and black cordless flashlight with a large lens and a handle.</p>	<p>DEWALT DCB090 12V/20V Max USB Power Source</p>  <p>A yellow and black power source with a USB port and a battery pack.</p>
<p>DEWALT DCN692B 20V Brushless Dual Speed Nailer</p>  <p>A yellow and black cordless nailer with a long magazine.</p>	<p>Dewalt 20V cordless Drill and impact Driver combo</p>  <p>A yellow and black cordless drill and impact driver set with a carrying case and battery.</p>
<p>DEWALT DCV580 18/20V Cordless Wet-Dry Vacuum</p>  <p>A yellow and black cordless wet-dry vacuum with a handle and hose.</p>	<p>DEWALT 20V 5.0Ah Lithium Ion Battery, 2-Pack</p>  <p>Two yellow and black 20V 5.0Ah Lithium Ion batteries.</p>

<p>DEWALT DW745 10-Inch Job-Site Table Saw</p>  A yellow and black DEWALT DW745 10-Inch Job-Site Table Saw. It features a large table top, a motor housing on the left, and a sliding table mechanism on the right. The saw is shown from a three-quarter perspective.	<p>DEWALT DW715 15-Amp 12-Inch Miter Saw</p>  A yellow and black DEWALT DW715 15-Amp 12-Inch Miter Saw. It has a large circular blade mounted on a sliding track, with a yellow handle on top. The base is white and black.
<p>DEWALT DWHT10272 Folding Pocket Knife</p>  A black and yellow DEWALT DWHT10272 Folding Pocket Knife. The blade is partially open, showing a serrated edge. The handle has the DEWALT logo.	<p>DEWALT Folding Retractable</p>  A yellow and black DEWALT Folding Retractable Utility Knife. The blade is extended, showing a sharp edge. The handle has the DEWALT logo.
<p>FastCap Glue Bottle (16 Ounces)</p>  A yellow and black FastCap Glue Bottle (16 Ounces). A hand is shown holding the bottle, which has a yellow cap and a red trigger. The glue is being dispensed from the nozzle.	<p>Dewalt DWHT83196 TRIGGER CLAMP 4 PACK</p>  A set of four yellow and black DEWALT DWHT83196 TRIGGER CLAMP 4 PACK. The clamps are shown in various orientations, highlighting their trigger mechanism and black handles.

About J.W. website and YouTube channel

J.W. YouTube Channel: <https://www.youtube.com/user/vantonyan912>

J.W. Website: <http://joyofwoodworkinghobby.com>

This channel is created to share my passion for woodworking and build a community to support beginners in woodworking, like me. For me, the woodworking is fun, inspiring and helps me to design, create and relax. By no means am I professional and this is my journey exploring techniques and solutions to various woodworking project challenges and you invited to check on my progress. I believe in humble beginnings and started this channel with a purchase of a [rusty/old table saw](#) and out of it, I build [this nice tool](#) that I enjoy using every time. Hard work always produces desirable results and you can see my progress as my woodworking skills improve. My early projects started with building rudimentary tools like [Crosscut Table saw sled](#) that I needed to finish my table saw cabinet. When I introduced my [thin strip jig](#) idea, there was much discussion in one forum where it was compared with \$300 Inca tool and was suggested that I buy that instead. My response was simple, I rather build my tools from scratch or restore old tools just because I love time spent on those projects. Also, you enjoy using the tools that are handmade or restored, more than ones you spent a fortune to buy.

Sometimes I am just frugal and enjoy nice things that I cannot possibly purchase for reasons beyond monetary concerns. Like the time I wanted to buy a set of squares with wooden handles and ended up making my [unique own set](#). There are lots of videos and projects that promote all wood squares but I think of it as cheating. People who make these beautiful squares from various species of hardwood fail to tell you that they do not age well and need constant adjustments which in my book make them useless decorative pieces. Projects I work are selected to be interesting and provide unique experience/function like approach to [making wooden spheres with a router](#). The fun part about this project is that you can substitute the router with some other tool like a chainsaw and make a large sphere, just for fun. Sometimes I am tempted to build something generic, like a wooden box but anyone can do that so I end up building [toolbox without nails and Japanese joints](#). I hope one day to be able to allocate more time to my projects but for now, I am limited to weekends. When you become part of our community and contribute with comments, subscription and likes, you will help to create more projects and frequent updates. Your opinion counts and valued!

Follow my progress

Twitter: https://twitter.com/tony_912

Pinterest: <https://www.pinterest.com/tony912/>

YouTube: <http://www.youtube.com/user/vantonyan912>

YouTube DIY: <https://www.youtube.com/channel/UCYR6uw4MDkjQNIW1uC5OSbA>

J.W. website: <http://joyofwoodworkinghobby.com/>